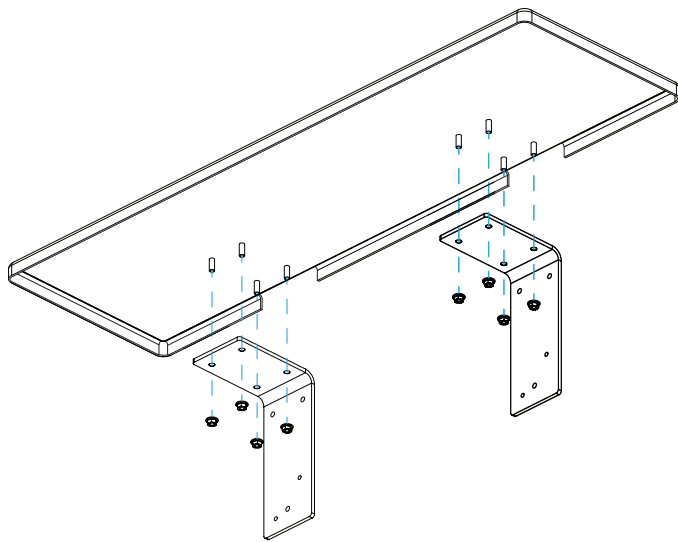
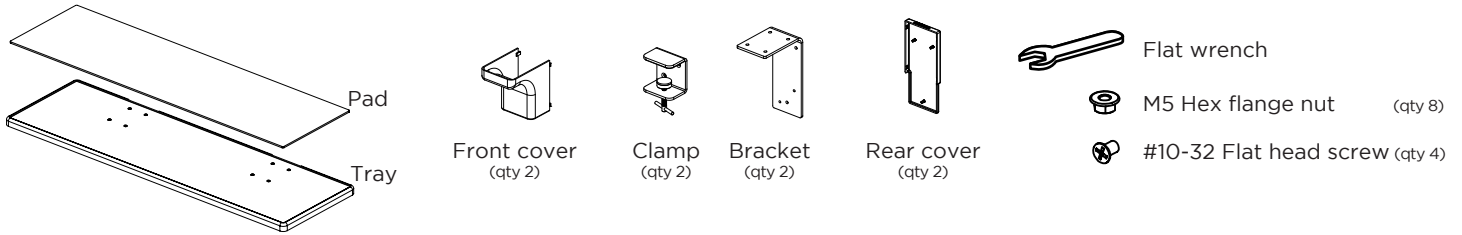


Desk Shelf or Monitor Stand, 27 in.

STR017-LNG

UPLIFT DESK

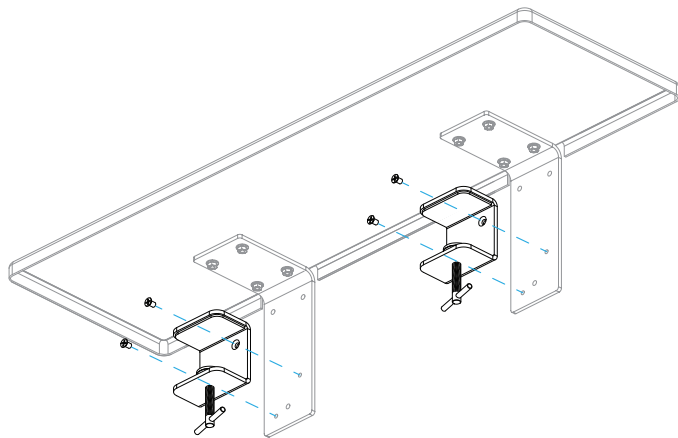
Package Contents



Step 1

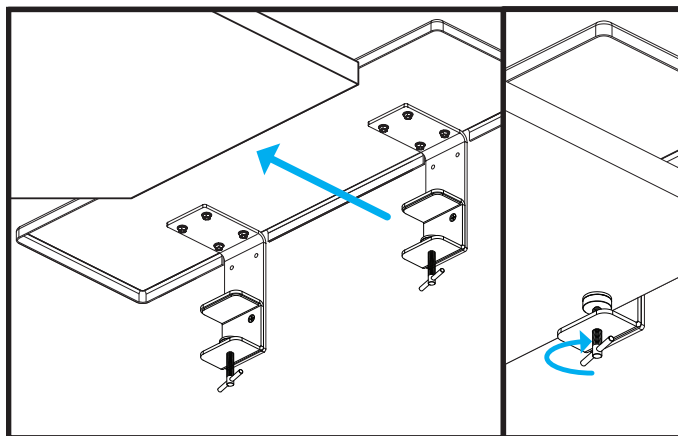
Connect the Brackets to the Tray in the orientation shown. Align the pem studs (which are attached to the bottom of the Tray) with the holes in each Bracket.

Screw the M5 Hex flange nuts onto the pem studs, and tighten using the provided Flat wrench.



Step 2

Connect the Clamps to the Brackets, in the orientation shown, using two #10-32 Flat head screws for each Clamp. Tighten with a Phillips head screwdriver.

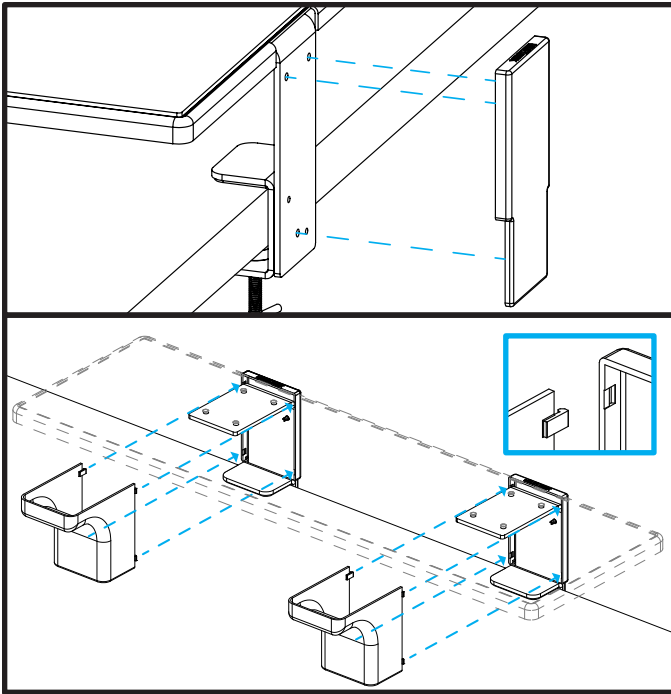


Step 3

Open the clamps as much as needed to fit onto the desktop and slide the assembly all the way onto the desk until it stops.

Clamp the assembly to the desk snugly but be sure not to overtighten the clamps.

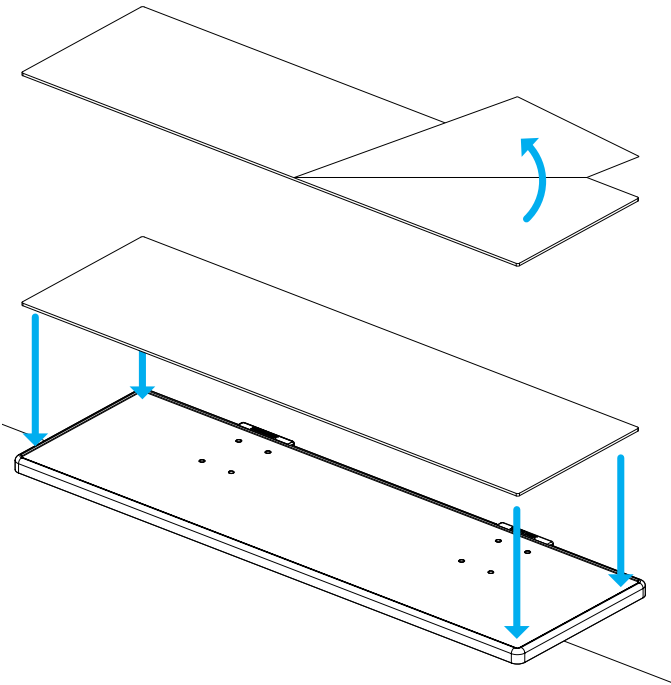
Overtightening can deform the Clamp brackets and cause the Front and Rear covers to not attach correctly.



Step 4

Fit each Rear cover in place, inserting the three tabs into the holes on each Bracket.

Then place the Front covers over the front of each Bracket. Holding the Rear Cover in place, snap the tabs of the Front cover into the slotted grooves in each Rear cover.



Step 5

The Pad is optional and can be left off if you choose.

If you decide to use the Pad, you can choose between just setting it on the top of the Tray or permanently attaching it using the adhesive backing. If you decide to attach it permanently, peel the lining off of the Pad, exposing the adhesive backing.

Turn it sticky side down and carefully apply the Pad to the top of the Tray so that it fits evenly into the indentation on the tray top.

⚠ CAUTIONS & WARNINGS

⚠ **CAUTION:** Read all instructions before assembly. Failure to assemble properly may result in damage or personal injury.

© **Copyright Notice:** This guide is a component of this accessory. This guide is a part of the scope of delivery, even if the item is resold. This guide is also available on the UPLIFT Desk website: upliftdesk.com. Excerpts or copies may not be forwarded to third parties or used in any other published form without the prior written consent of UPLIFT Desk. These instructions are subject to United States copyright law.